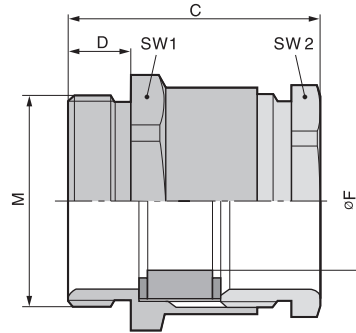


SKINDICHT® SVRN-M / SKINDICHT® SVRE-M



SKINDICHT® SVRN-M

SKINDICHT® SVRE-M

Benefits

SKINDICHT® SVRN-M

- High mechanic stability
- Optimal strain relief

SKINDICHT® SVRE-M

- Incised sealing ring can be adjusted to clamp several cable diameters
- Fewer sizes need to be kept in stock

Application range

SKINDICHT® SVRN-M

- Brass cable gland with hexagonal fitting and metric connecting thread for fast assembly with a flat spanner.

SKINDICHT® SVRE-M

- Brass cable gland with hexagonal fitting and variable incised sealing ring.

Approvals (Norm references)



Design

- Metric connection thread acc. to EN 50262

Note

SKINDICHT® SVRN-M

- Counter nut to be used SKINDICHT® SM-M

SKINDICHT® SVRE-M

- For additional accessories see SKINDICHT® EV
- Counter nut to be used SKINDICHT® SM-M

Technical data



Caution
 Installation dimensions see Appendix T21



On request
SKINDICHT® SVRN-M
 Available with long connection thread
SKINDICHT® SVRE-M
 Available with long connection thread
 Available with VITON® incised ring



Material
SKINDICHT® SVRN-M
 Body: Nickel plated brass
 Sealing ring: CR/NBR
SKINDICHT® SVRE-M
 Body: Nickel plated brass
 Incised sealing ring: CR/NBR



Degree of protection
 IP 54



Range of temperature
SKINDICHT® SVRN-M
 -20°C up to +100°C
SKINDICHT® SVRE-M
 -20°C up to +80°C

Part number	Part designation / size	Incised sealing ring ØF, mm	Max. internal Ø in mm	Function thread PG	SW1 / SW2 mm	Overall length C mm	Thread length D mm	Clear opening F mm	Pieces / PU
SKINDICHT® SVRN-M									
52104800	12 x 1,5			7	14 / 13	20,6	5,0	5	100
52104810	12 x 1,5			7	14 / 13	20,6	5,0	6	100
52104820	12 x 1,5			7	14 / 13	20,6	5,0	7	100
52104830	16 x 1,5			9	18 / 15	21,6	5,0	7	100
52104840	16 x 1,5			9	18 / 15	21,6	5,0	8	100
52104850	16 x 1,5			9	18 / 15	21,6	5,0	9	100
52104860	20 x 1,5			11	22 / 18	23,6	6,0	10	50
52104870	20 x 1,5			11	22 / 18	23,6	6,0	11	50
52104880	20 x 1,5			13,5	22 / 20	25,6	6,0	11	50
52104890	20 x 1,5			13,5	22 / 20	25,6	6,0	12	50
52104900	20 x 1,5			16	24 / 22	26,6	6,0	13	50
52104910	20 x 1,5			16	24 / 22	26,6	6,0	14	50
52104920	25 x 1,5			21	30 / 28	29,6	7,0	18	50
52104930	32 x 1,5			29	40 / 37	32,6	8,0	27	50
52104940	40 x 1,5			36	50 / 47	37,6	8,0	34	20
SKINDICHT® SVRE-M									
52104980	16 x 1,5	5/8	12,0	9	18 / 15	21,6	5,0		100
52104990	20 x 1,5	7 / 10 / 12,5	15,0	11	22 / 18	22,6	6,0		50
52105000	20 x 1,5	7 / 10,5 / 13 / 16	15,0	13,5	22 / 20	25,6	6,0		50
52105010	20 x 1,5	8 / 10,5 / 13,5 / 16	15,0	16	24 / 22	26,6	6,0		50
52105002	25 x 1,5	11 / 15 / 18 / 20	20,0	21	30 / 28	29,6	7,0		50
52105003	32 x 1,5	19 / 23 / 27 / 31	27,0	29	40 / 37	32,6	8,0		50
52105004	40 x 1,5	25 / 28 / 31 / 35	34,0	36	50 / 47	37,6	8,0		20
52105005	50 x 1,5	35,5 / 39 / 42,5 / 46	44,0	42	57 / 54	42,6	9,0		5
52105006	63 x 1,5	40,5 / 44 / 47 / 50,5	54,0	48	66 / 60	45,1	10,0		5

Viton® is a registered trademark of DuPont de Nemours